



DA2208 shall be used to amplify incoming audio signal of line level and thereafter linked to several amplifiers to avoid sound distortion. It consists of 2 sets of 1 in 4 out configuration and can be set as 1 in 8 out format. Each output channel has its individual bass and treble controls, facilitating tone setup of the amplifier to suit the type of speakers used as well as the acoustic environment.

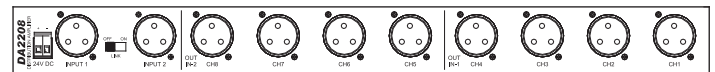
**Features**

- Operates as dual channel 1 input 4 output or single channel 1 input 8 output
- Individual bass and treble control with volume adjustment
- Direct input signal to output whenever DC power input not available or whenever power failure occurs

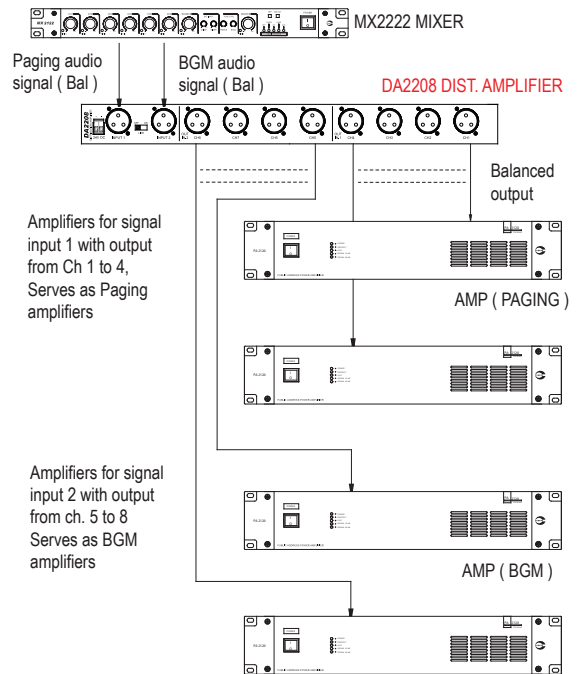
**Technical Specifications**

|                    |                                  |
|--------------------|----------------------------------|
| Operating voltage  | 24V DC                           |
| Power consumption  | 2.4W                             |
| Configuration      | 1 in x 8 out or 2 in x 4 out     |
| Input level        | Line : 1V rms max                |
| Input impedance    | 10 K Ohm                         |
| Output gain        | + 4 dBu                          |
| Output impedance   | 10 K Ohm                         |
| Controls           | Bass, Treble, Channel volume     |
| Frequency response | 150 ~ 19 KHz (+/- 3 dB at 1 KHz) |
| Dimensions (WxHxD) | 482 x 44 x 180 mm                |
| Weight             | 1.55 kg                          |

Rear View:



**Application Schematic**



The above illustration is for Uninterrupted Paging setup. In normal setup with single input, use the link switch to form 1 input 8 outputs configuration. Each output from DA2208 can be linked up to 6 power amplifiers.

**Packing information**

Qty per carton : 1 unit  
 W x H x D : 552 x 93 x 294 mm  
 Weight : 2.15 kg